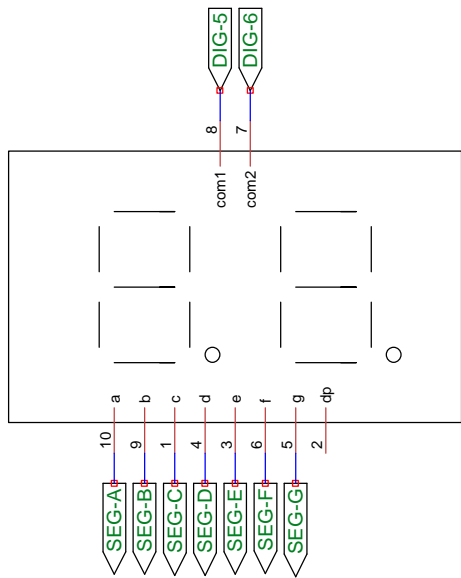
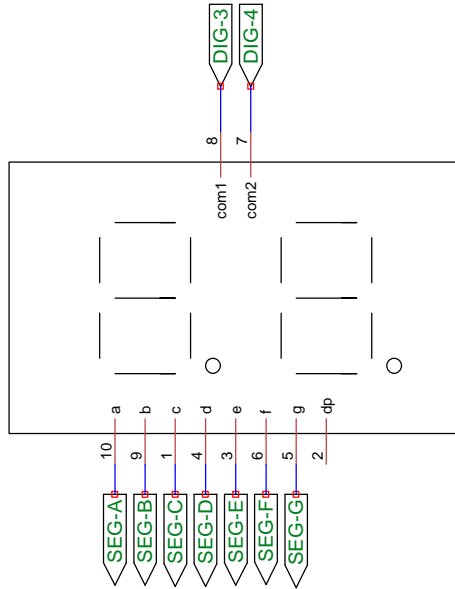


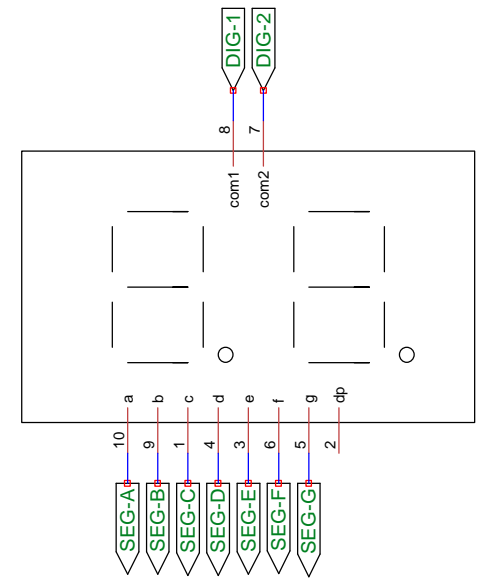
Title 6 digit timer display driver board		
Author (C) 2007 Mark Longstaff-Tyrrell Denkimono		
File ant\Denki\Timer\1.0\Schematic\display_board.dsn		Document
Revision 1.0	Date 31st Janary 2007	Sheets 1/2



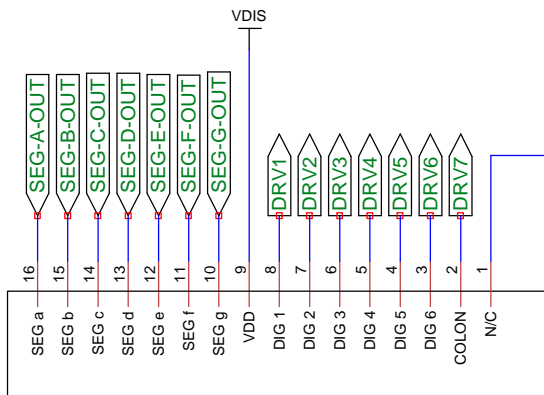
2-digit common anode  
LED3



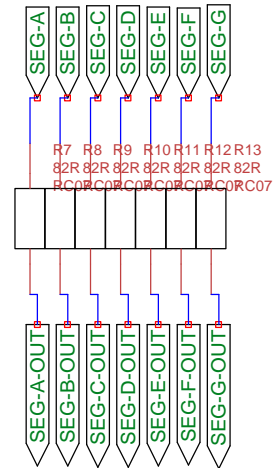
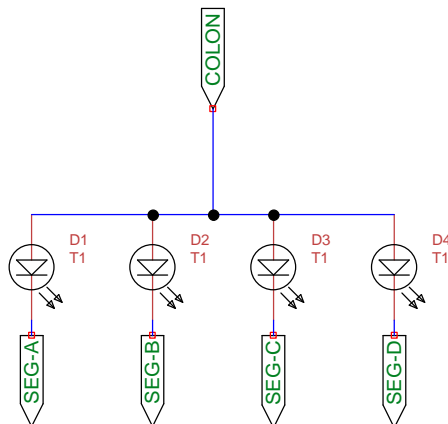
2-digit common anode  
LED2



2-digit common anode  
LED1



6 DIG DB Connector  
CN1



R7 R8 R9 R10 R11 R12 R13  
82R 82R 82R 82R 82R 82R 82R  
RC07 RC07 RC07 RC07 RC07 RC07

Title 6 digit timer display driver board		
Author (C)2007 Mark Longstaff-Tyrrell Denkimono		
File ant\Denki\Timer\1.0\Schematic\display_board.dsn	Document	
Revision 1.0	Date 31st Janary 2007	Sheets 2/2